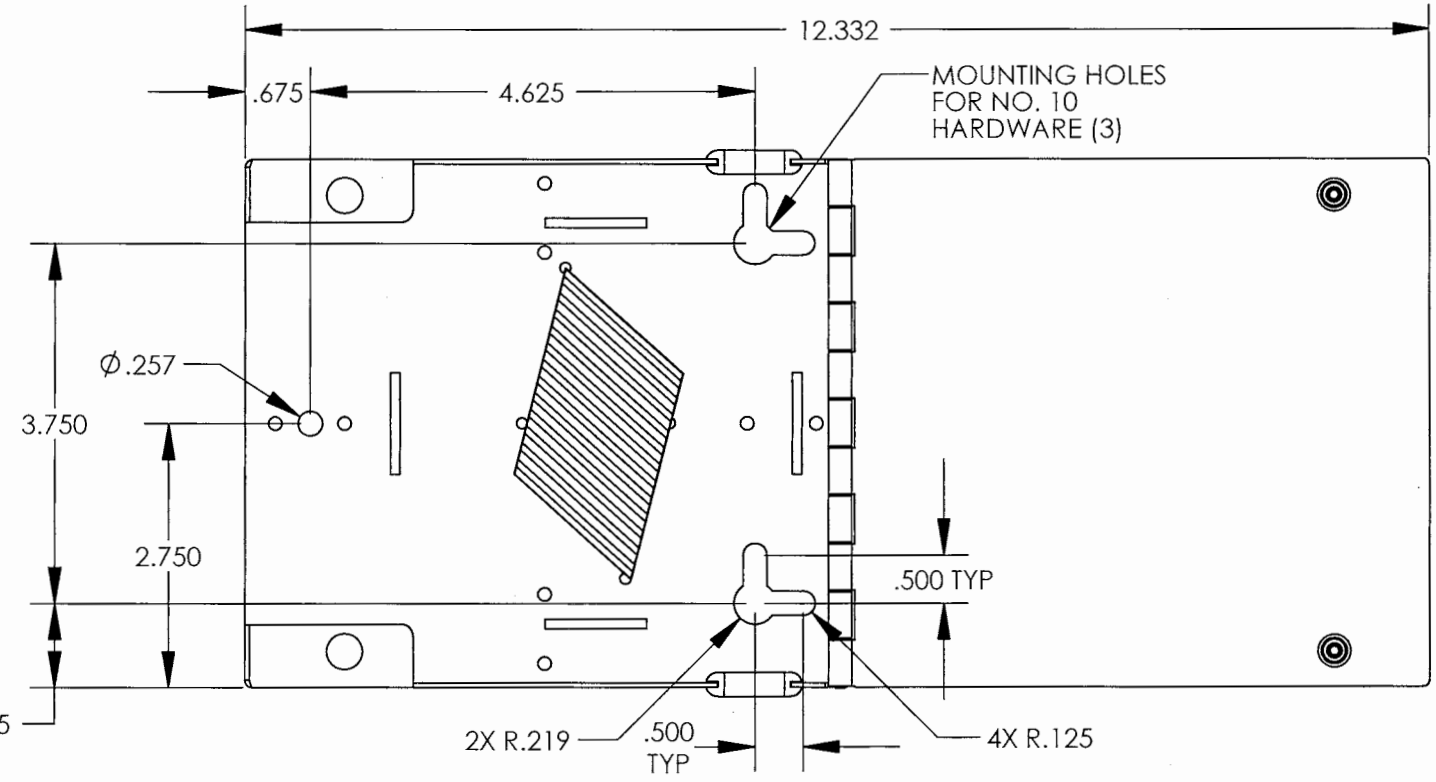
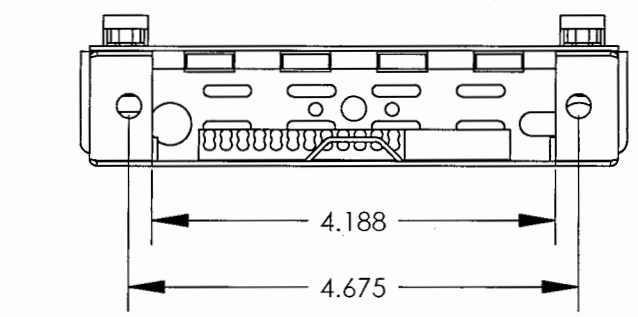
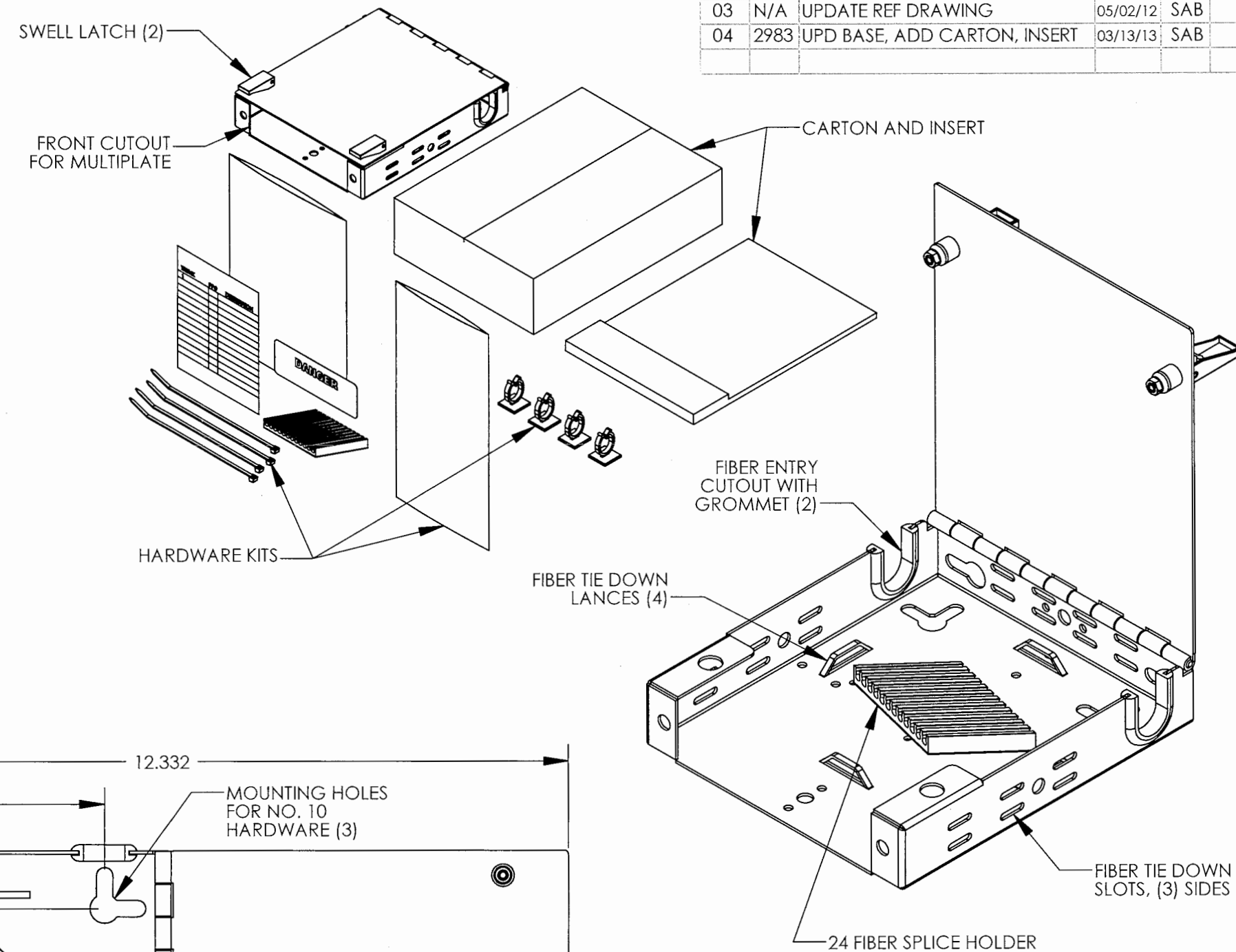
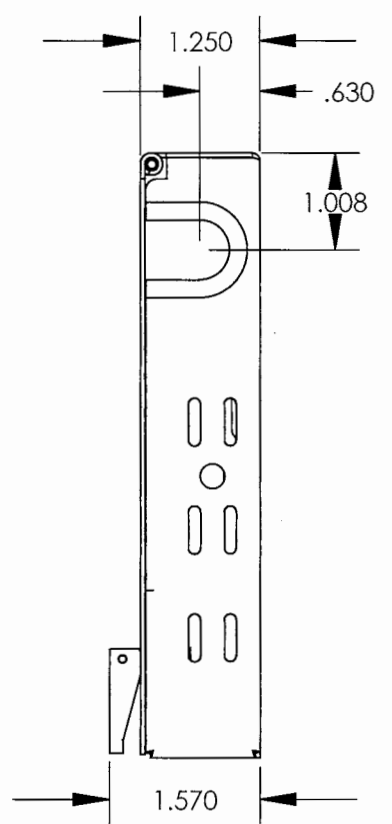
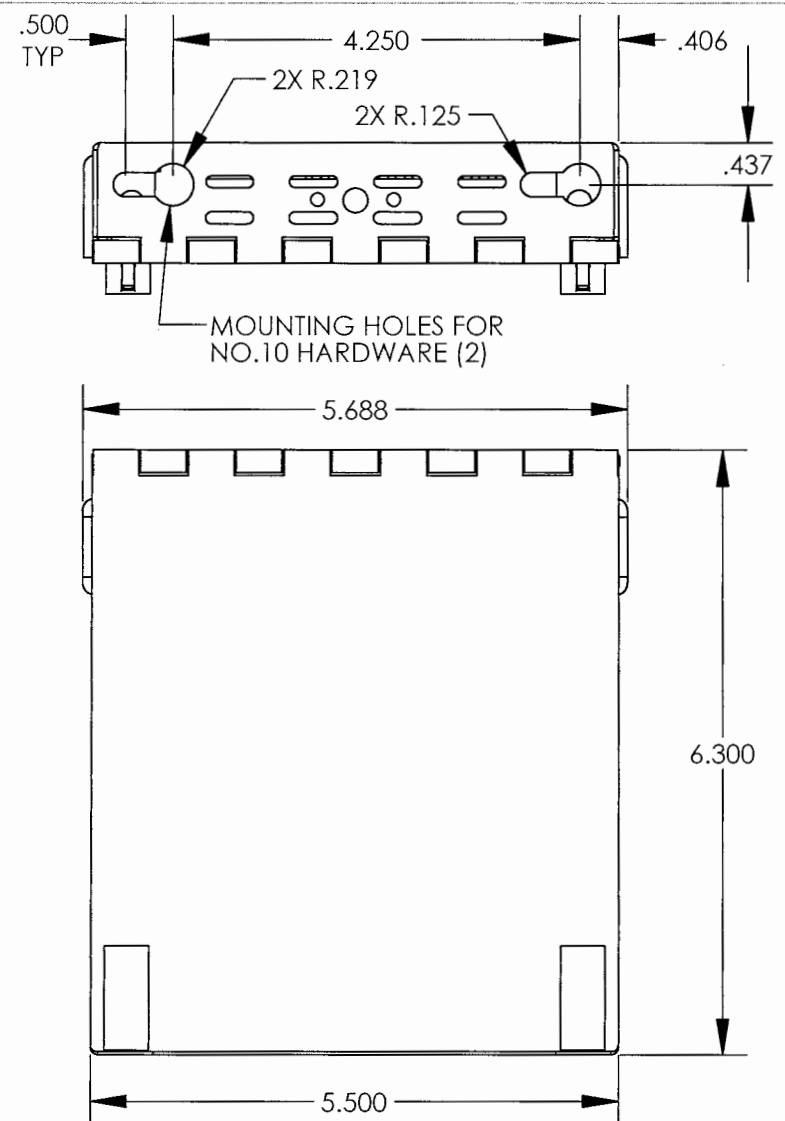


REV.	ECN #	DESCRIPTION OF CHANGE	DATE	BY	MFG ENG
01	N/A	INITIAL RELEASE	10/20/08	SAB	
03	N/A	UPDATE REF DRAWING	05/02/12	SAB	
04	2983	UPD BASE, ADD CARTON, INSERT	03/13/13	SAB	



NOTES:
1. ALSO AVAILABLE IN OFF WHITE, P/N 045-187-11.

Purchase @ **LANshack.com** Contact Sales at 888-568-1230 or Email us at Sales@LANshack.com

UNLESS OTHERWISE SPECIFIED DIMENSIONS ARE IN INCHES TOLERANCES ARE:
FRACTIONS: ±1/32 DECIMALS: .XX=±.03 .XXX=±.010 ANGLES: ±1°
ALL FLATS TO BE ±.005
NO SHARP EDGES OR BURRS ALLOWED
MATERIAL: SEE B.O.M.
FINISH: BLACK TEXTURED
DO NOT SCALE DRAWING

THIS DOCUMENT AND THE INFORMATION CONTAINED THEREIN ARE CONFIDENTIAL & PROPRIETARY TO MULTILINK AND MAY NOT BE COPIED OR DISCLOSED TO OTHERS WITHOUT A WRITTEN CONSENT FROM MULTILINK. THE INFORMATION IS TO BE PROMPTLY RETURNED TO MULTILINK UPON REQUEST.

DRAWN BY: SAB DATE: 10/20/2008
CHECKED: DATE:
MFG ENG: DATE:
QUALITY ENG: DATE:

Multilink

FWM-1X-SP-BK
W/ SPLICE CHIP

SIZE **B** DWG. NO. 045-187-10REF REV. 04
SCALE: 1:2 CAD FILE: 045-187-10REF SHEET: 1 OF 1